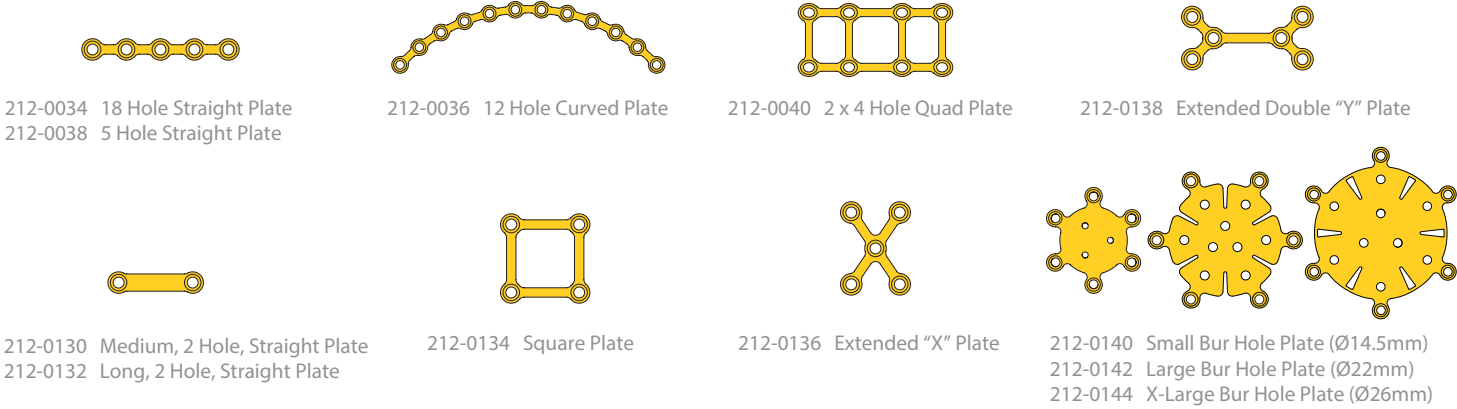


1.2mm Plates

Plate Profile: .5mm



212-0034 18 Hole Straight Plate
212-0038 5 Hole Straight Plate

212-0036 12 Hole Curved Plate

212-0040 2 x 4 Hole Quad Plate

212-0138 Extended Double "Y" Plate

212-0130 Medium, 2 Hole, Straight Plate
212-0132 Long, 2 Hole, Straight Plate

212-0134 Square Plate

212-0136 Extended "X" Plate

212-0140 Small Bur Hole Plate (Ø14.5mm)
212-0142 Large Bur Hole Plate (Ø22mm)
212-0144 X-Large Bur Hole Plate (Ø26mm)

1.2mm Auto-Drive Screws

Auto-Drive® Screws



P/N	Description
211-1203	1.2mm x 3mm Auto-DriveScrew
211-1204	1.2mm x 4mm Auto-DriveScrew
211-1205	1.2mm x 5mm Auto-DriveScrew

Safety Screws



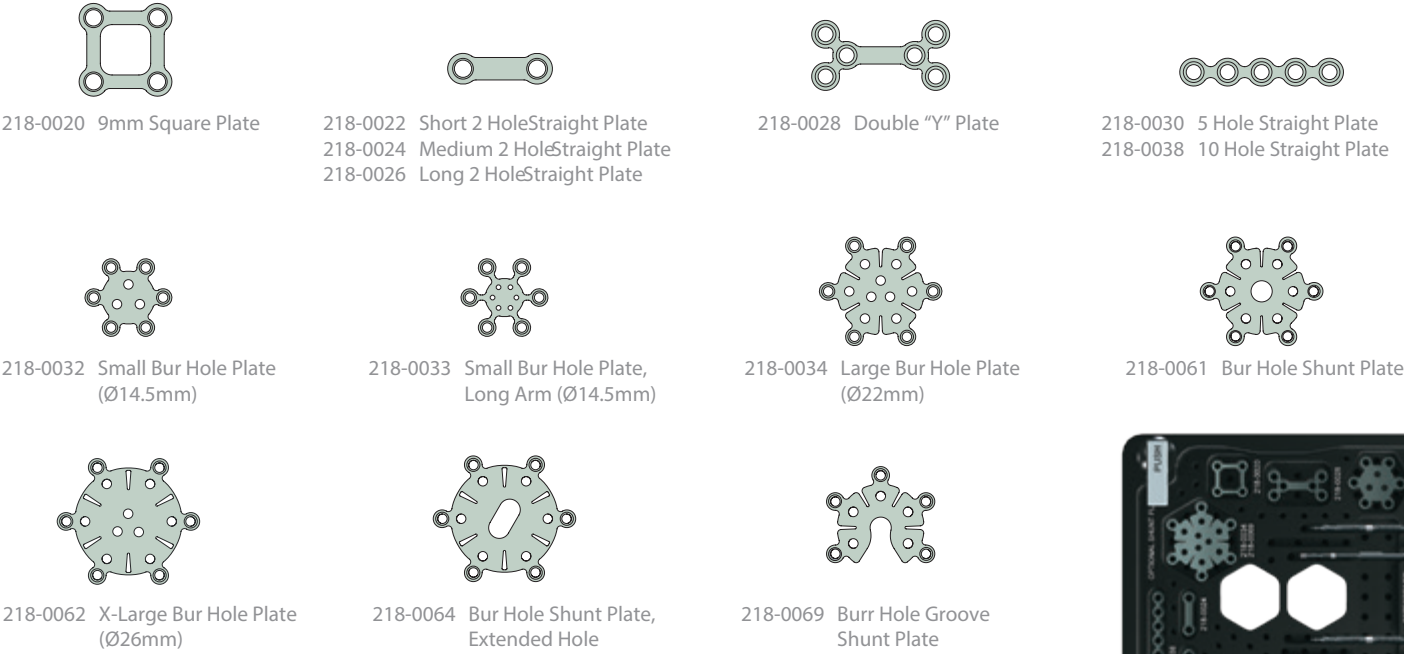
P/N	Description
204-1502	1.5mm x 2mm Safety Screw
204-1503	1.5mm x 3mm Safety Screw
204-1504	1.5mm x 4mm Safety Screw
204-1505	1.5mm x 5mm Safety Screw



222-0206 Fast-Flap, 1.2mm Implant Module

1.6mm Plates

Plate Profile: .5mm



218-0020 9mm Square Plate

218-0022 Short 2 HoleStraight Plate
218-0024 Medium 2 HoleStraight Plate
218-0026 Long 2 HoleStraight Plate

218-0028 Double "Y" Plate

218-0030 5 Hole Straight Plate
218-0038 10 Hole Straight Plate

218-0032 Small Bur Hole Plate (Ø14.5mm)

218-0033 Small Bur Hole Plate, Long Arm (Ø14.5mm)

218-0034 Large Bur Hole Plate (Ø22mm)

218-0061 Bur Hole Shunt Plate

218-0062 X-Large Bur Hole Plate (Ø26mm)

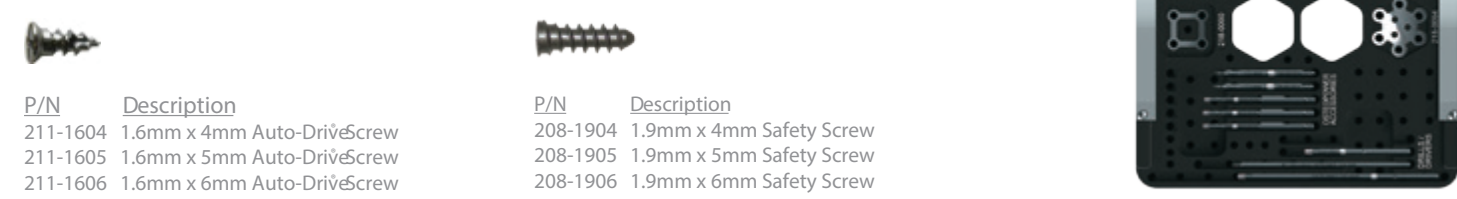
218-0064 Bur Hole Shunt Plate, Extended Hole

218-0069 Burr Hole Groove Shunt Plate



222-0207 Fast-Flap, 1.6mm Implant Module

OsteoMed.com



P/N	Description
211-1604	1.6mm x 4mm Auto-DriveScrew
211-1605	1.6mm x 5mm Auto-DriveScrew
211-1606	1.6mm x 6mm Auto-DriveScrew

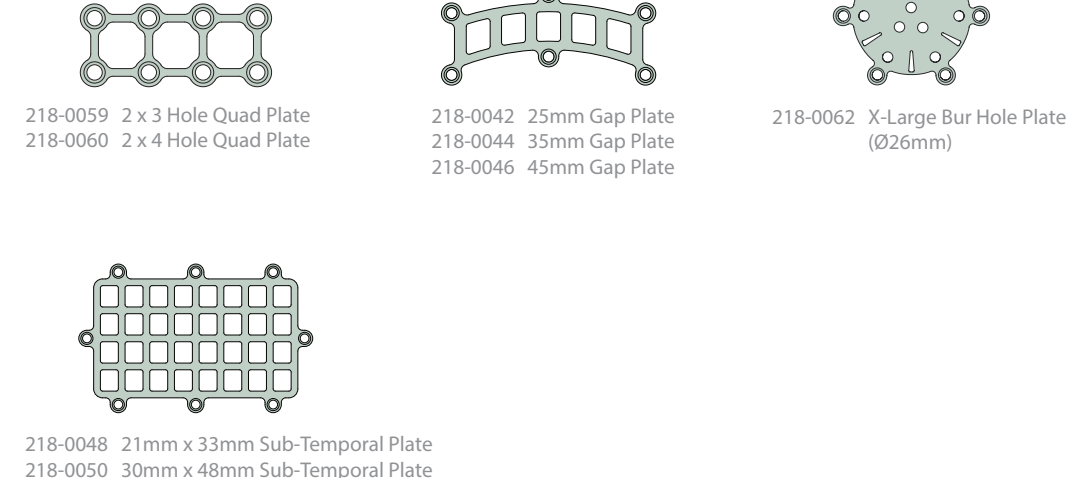
P/N	Description
208-1904	1.9mm x 4mm Safety Screw
208-1905	1.9mm x 5mm Safety Screw
208-1906	1.9mm x 6mm Safety Screw



222-0209 Fast-Flap, 1.6mm Low-Profile Implant Module

Skull Base Plates

Plate Profile: .5mm



218-0059 2 x 3 Hole Quad Plate
218-0060 2 x 4 Hole Quad Plate

218-0042 25mm Gap Plate
218-0044 35mm Gap Plate
218-0046 45mm Gap Plate

218-0062 X-Large Bur Hole Plate (Ø26mm)

218-0048 21mm x 33mm Sub-Temporal Plate
218-0050 30mm x 48mm Sub-Temporal Plate



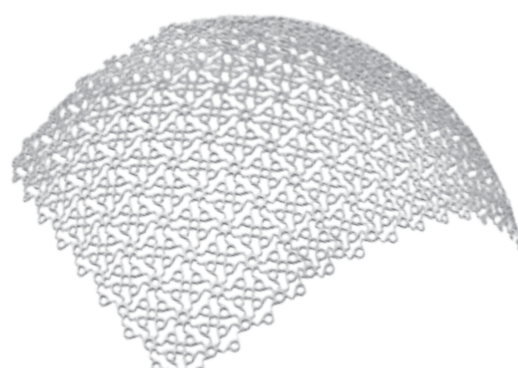
222-0208 Fast-Flap, Skull Base Implant Module

Plates are not actual size

218-0053	125mm x 180mm Mesh Plate, Rigid
218-2002	40mm X 40mm Rigid OsteoForm MeshPlate
218-2004	90mm X 90mm Rigid OsteoForm MeshPlate
218-2007	165mm x 95mm Rigid OsteoForm MeshPlate
218-2014	165mm X 95mm OsteoFormMesh, Extra-Rigid
218-2002-SP	40mm x 40mm Rigid OsteoForm MeshSterile
218-2004-SP	90mm x 90mm Rigid OsteoForm MeshSterile

1.6mm Pre-Formed Meshes

218-2005	165mm X 95mm Pre-Formed OsteoForm MeshPlate
218-2006	90mm X 90mm Pre-Formed OsteoForm MeshPlate
218-2008	165mm x 95mm Pre-Formed OsteoForm MeshExtra-Rigid
218-2005-SP	165mm x 95mm Pre-Formed OsteoForm MeshSterile
218-2006-SP	90mm x 90mm Pre-Formed OsteoForm MeshSterile



222-0204 Mesh Fast Flap Plate Organizer